

REGUPOL®

SONUSCLIP™ DE90



Regupol® SonusClip DE90
Guide for Wall Framing
and Ceiling Systems

If you have any questions, please contact
us or visit regupol-acoustics.com

 REGUPOL® ACOUSTICS

The **SonusClip DE90** reduces the transmission of airborne and impact noise through walls and ceilings, including wood, steel, and concrete construction. SonusClip DE90 are designed to decouple wall framing and ceiling systems. The resilient rubber isolators used in the SonusClip DE90, absorb energy and improve STC (airborne) and IIC (impact) acoustic ratings.

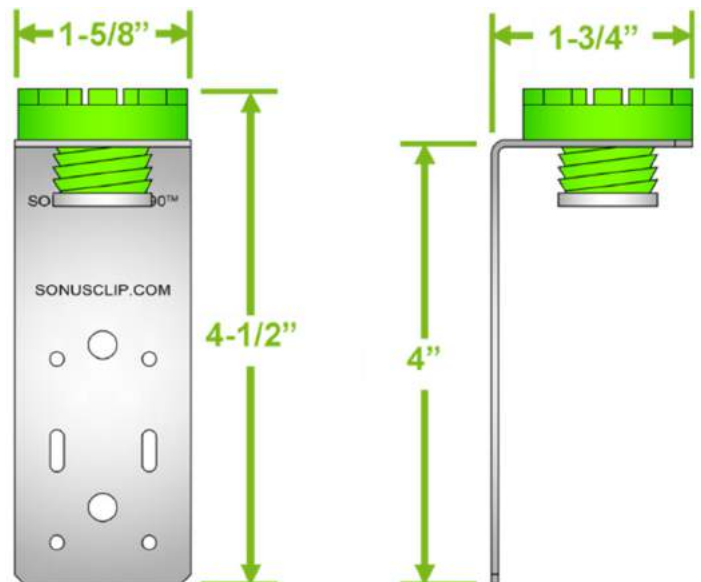
SonusClip DE90 Specifications	
Recycled Content	Yes
VOC Treated	Yes
Total Deflection	3mm
Adjustable	4" Screw Flange
Use on Walls	Yes
Use on Ceilings	Yes
UL Fire Tested	Yes

The SonusClip DE90 can be used for a variety of applications including:

- Drop ceilings
- Cabinets
- Speakers
- TVs
- Projectors
- Ceiling fans
- HVAC and plumbing
- Garage door rails and motors
- Room within a room

Dimensions and Load

- Height: 4-1/2"
- Width: 1-5/8"
- Depth: 1-3/4"
- Maximum Design Load: 36 lb (16 kg) per SonusClip DE90
- Minimum Pullout and Shear: 108 lb (49 kg)



Installation Guidelines for Ceilings

- Fasten SonusClip DE90 to the structure with approved fasteners only
- Ensure the SonusClip DE90 is tight to the framing member
- The first and last row of SonusClip DE90 shall be within 8" of the wall
- Maximum Spacing for 1 Layer of 5/8" Gypsum Wallboard (USG): 48" x 48" o.c.
- Maximum Spacing for 2 Layers of 5/8" Gypsum Wallboard (USG): 48" x 24" o.c.
- When hanging a drywall grid ceiling with tie wire and SonusClip DE90, follow the installation instructions provided by the grid ceiling manufacturer

General Information

- Seal all potential air leaks with a non-hardening acoustical caulk to maximize noise control
- Minimum allowable thickness for steel studs is 20 gauge

Recommended Fasteners

Isolator Fasteners

- Wood framing #8 x 2-1/2" coarse thread screw
- Steel framing #8, #10, #12 x 1-5/8" self-tapping fine thread screw
- Concrete: minimum shear and pullout of 120 lb

Note: Tighten fasteners until they are snug up into the metal washer. Be careful not to overtighten.

Flange Fasteners

- Wood framing #6 x 1-1/4" coarse thread screws, (2) screws / clip
- Steel framing #8 x 1" fine thread screws, (2) screws / clip

Note: Do not fasten SonusClip DE90 with Nails.

2-1/2" Coarse Thread Screw



1-5/8" Fine Thread Screw



3/16" x 2" Tapcon



1-1/4" Coarse Thread Screw

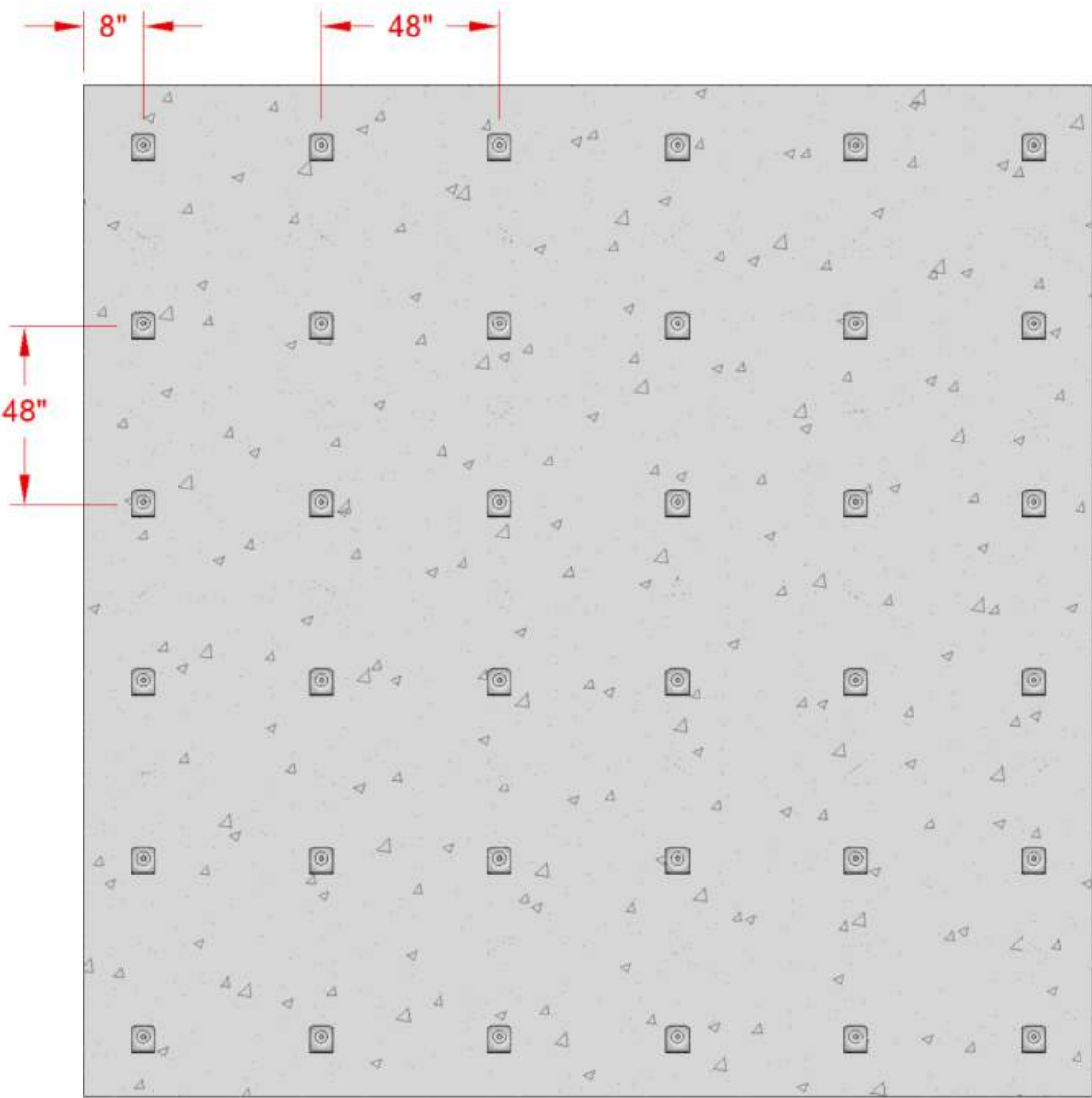


1" Fine Thread Screw



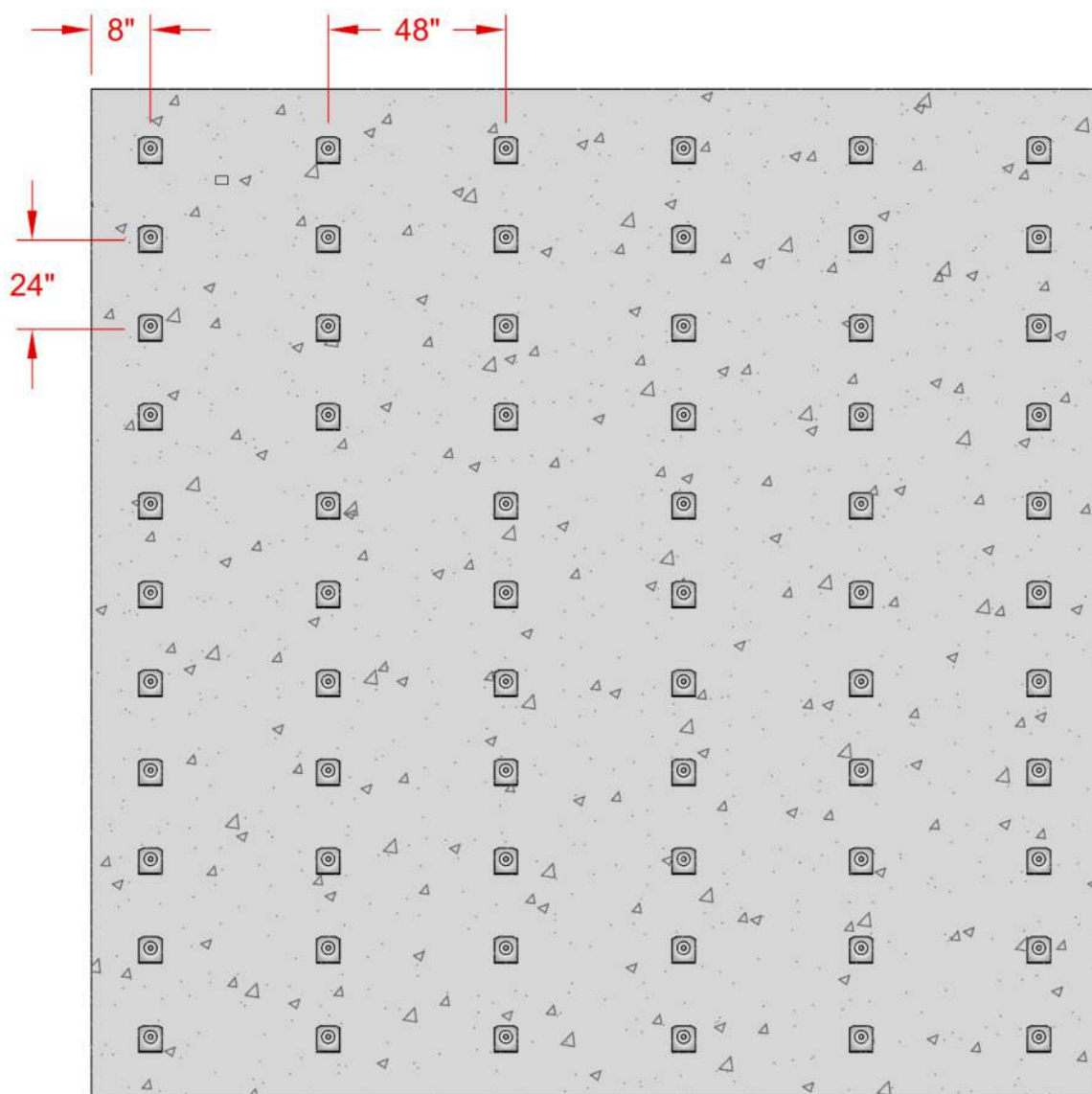
Ceiling Layout Guide for Wood, Steel, or Concrete

SonusClip DE90 at 48" x 48" o.c.
Maximum 1 Layer of 5/8" Gypsum Wallboard (USG)



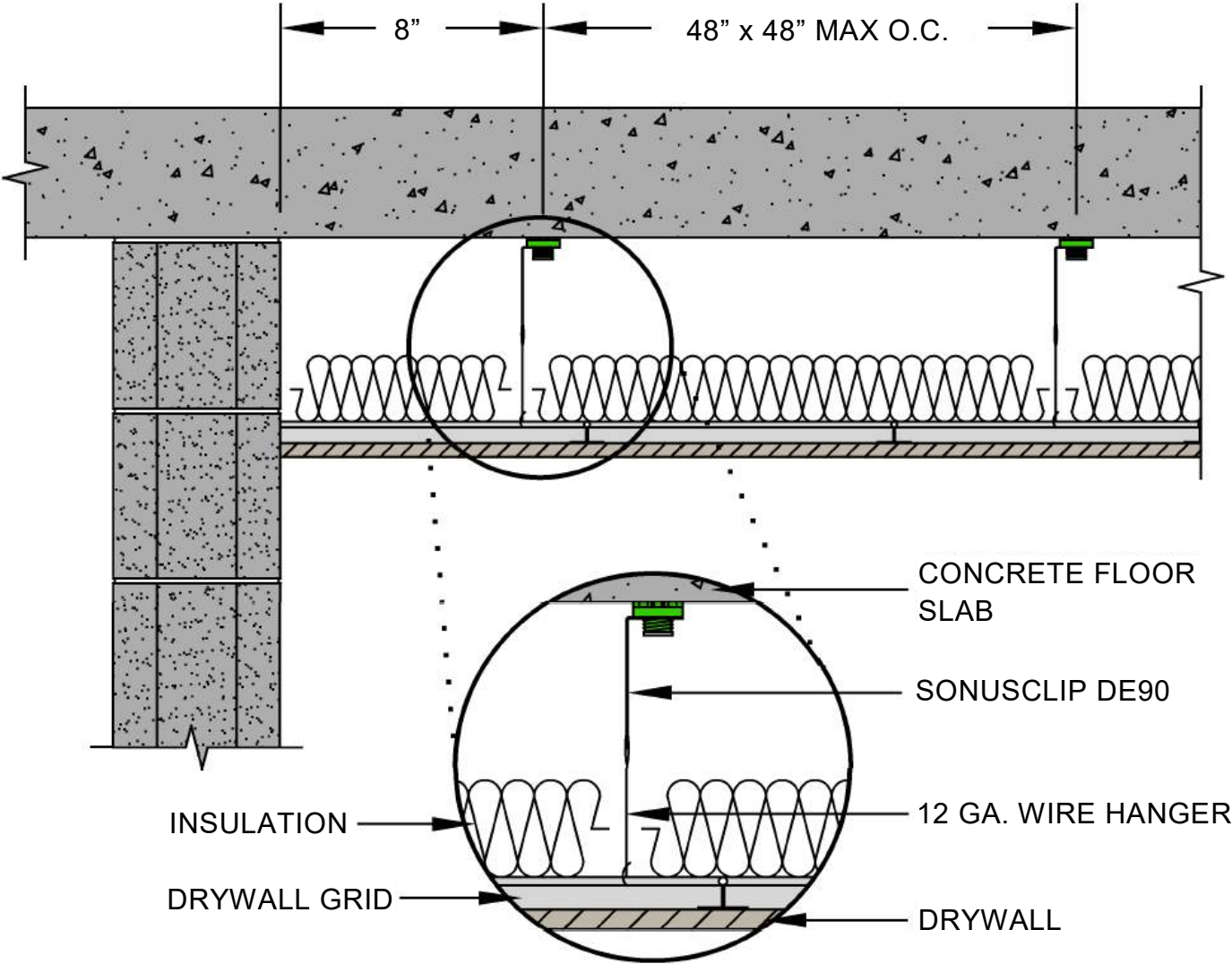
Ceiling Layout Guide for Wood, Steel, or Concrete

SonusClip DE90 at 24" x 48" o.c.
Maximum 2 Layers of 5/8" Gypsum Wallboard (USG)

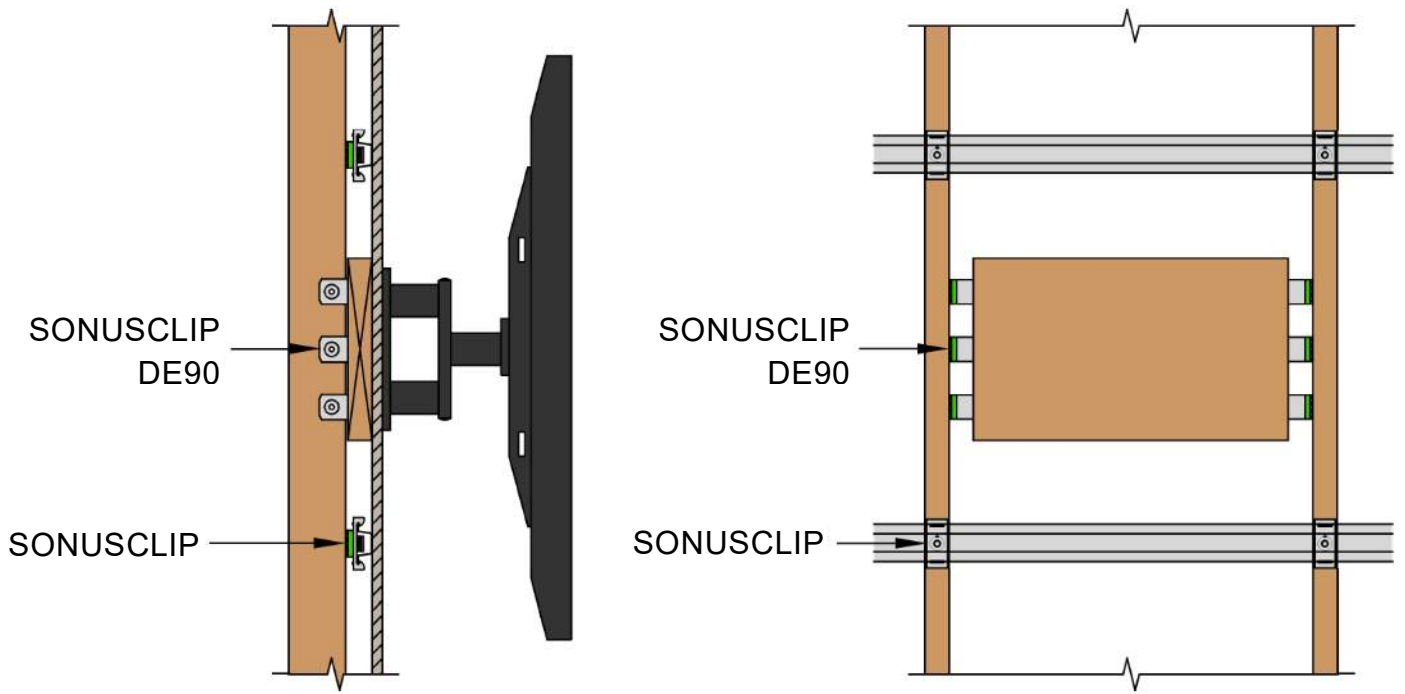


Mounting Systems with SonusClip DE90

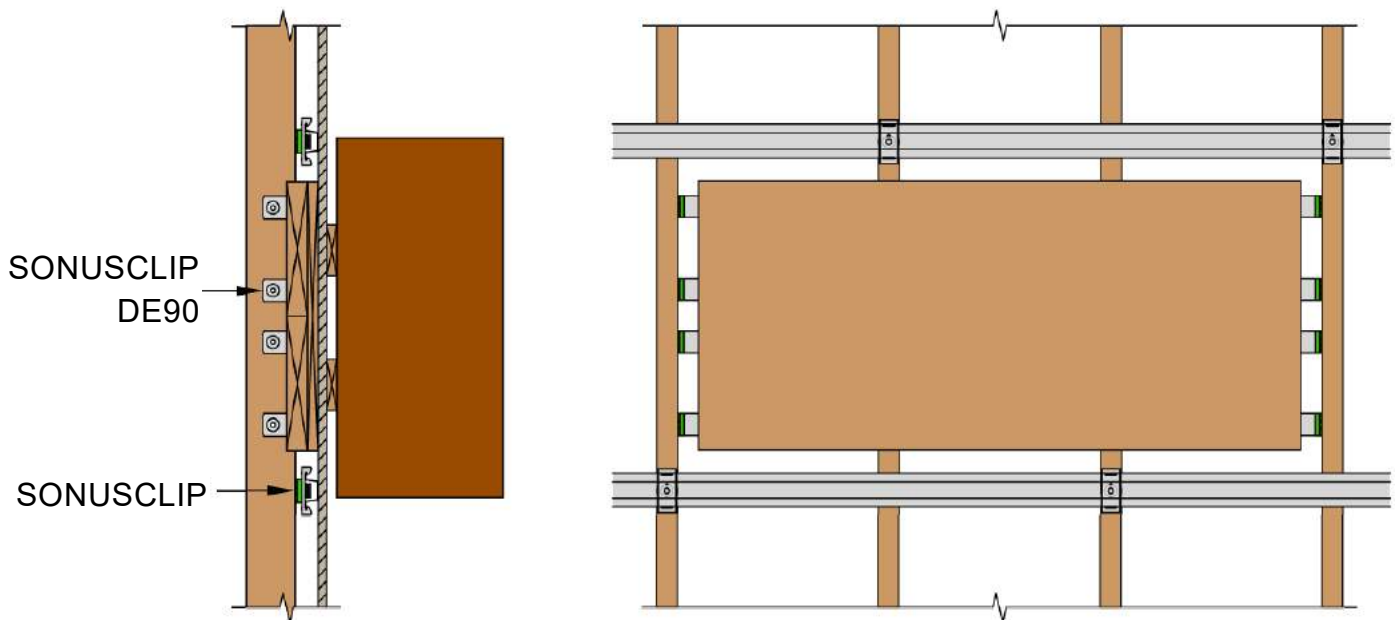
Isolated Suspended Drywall Grid Ceiling



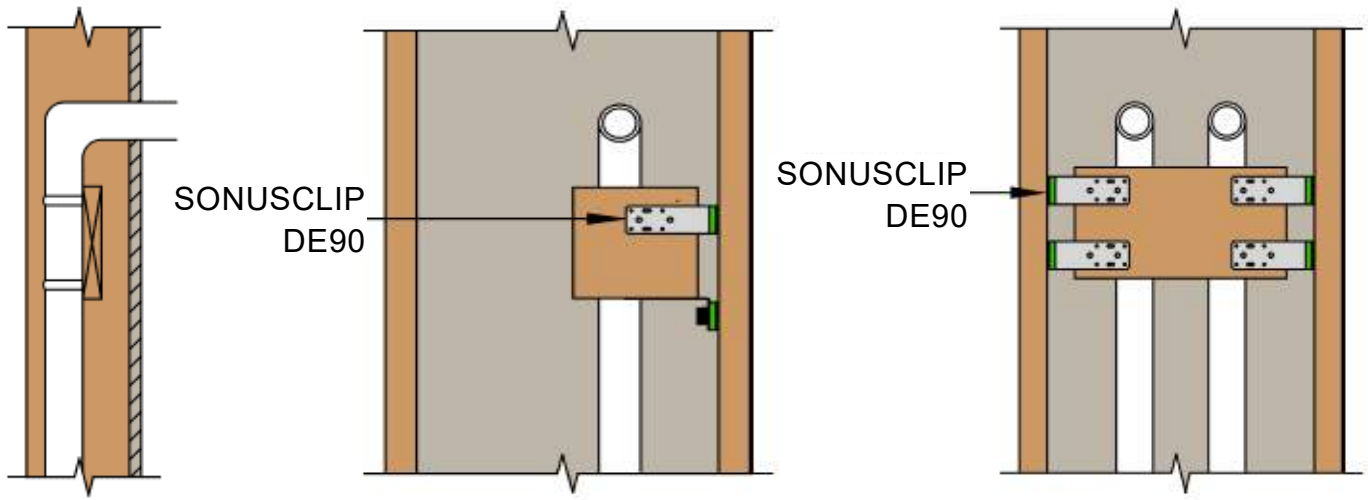
Isolated Blocking for TV Mounting



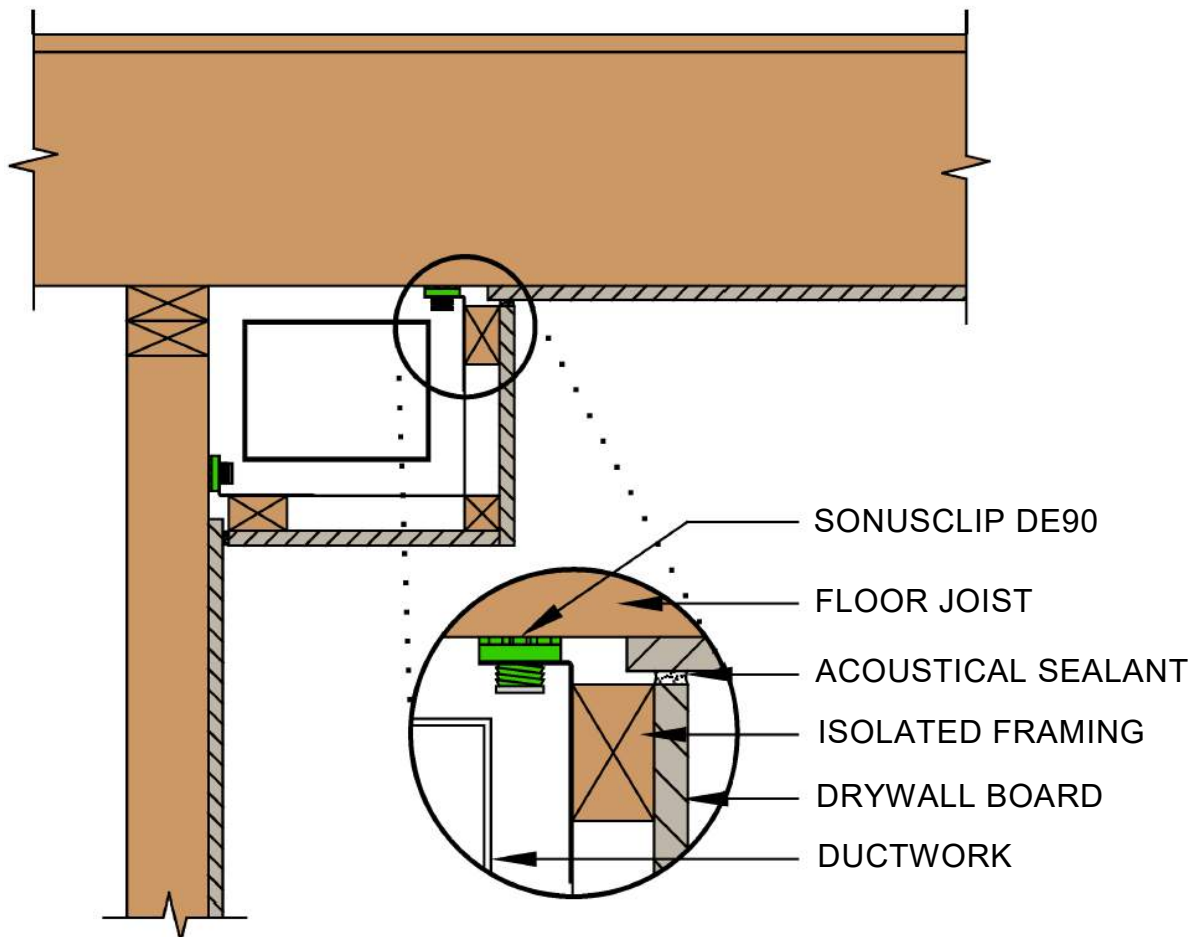
Isolated Blocking for Cabinet Mounting



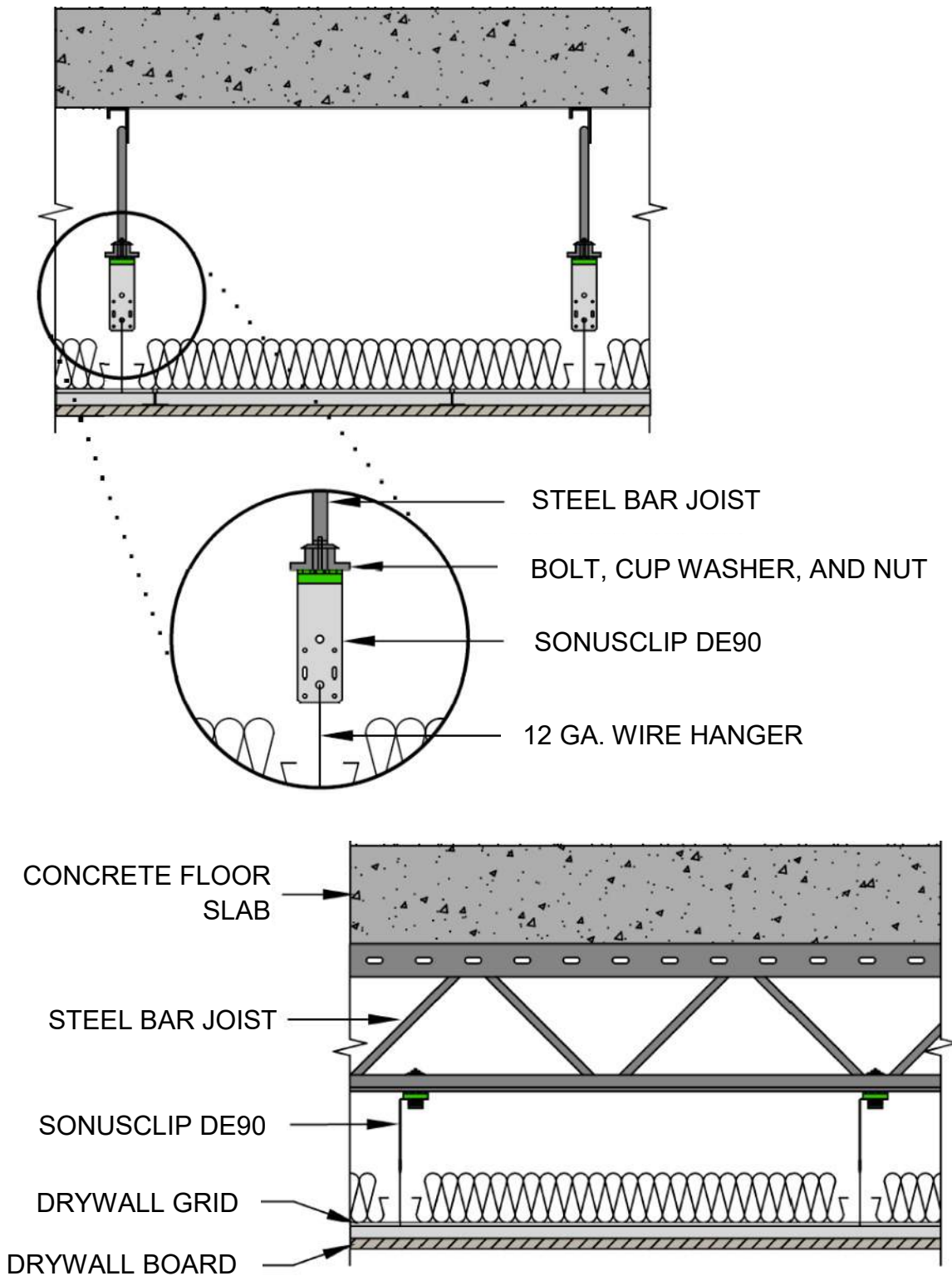
Isolated Framing for Stub-Out Mounting



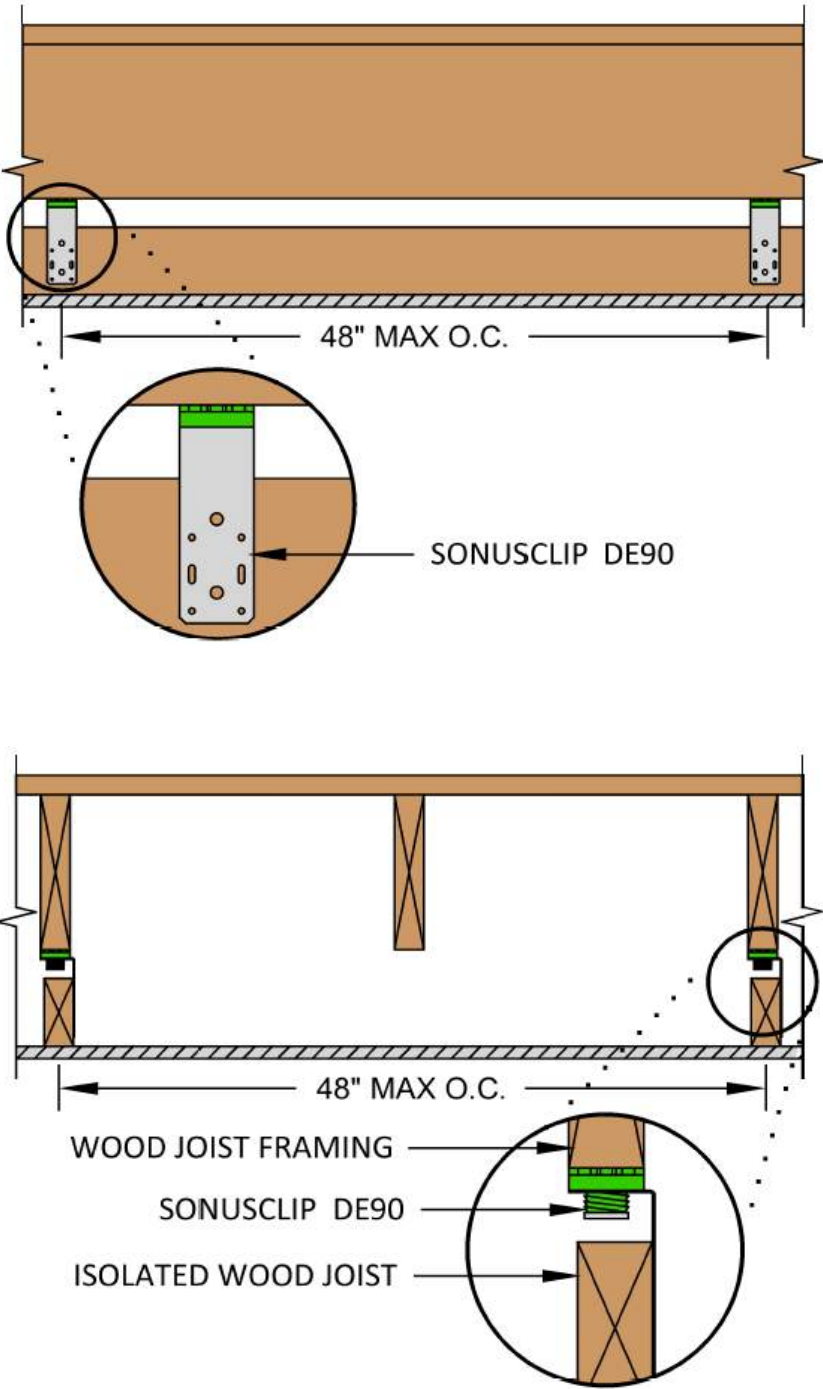
Isolated Framing for Bulkhead Mounting



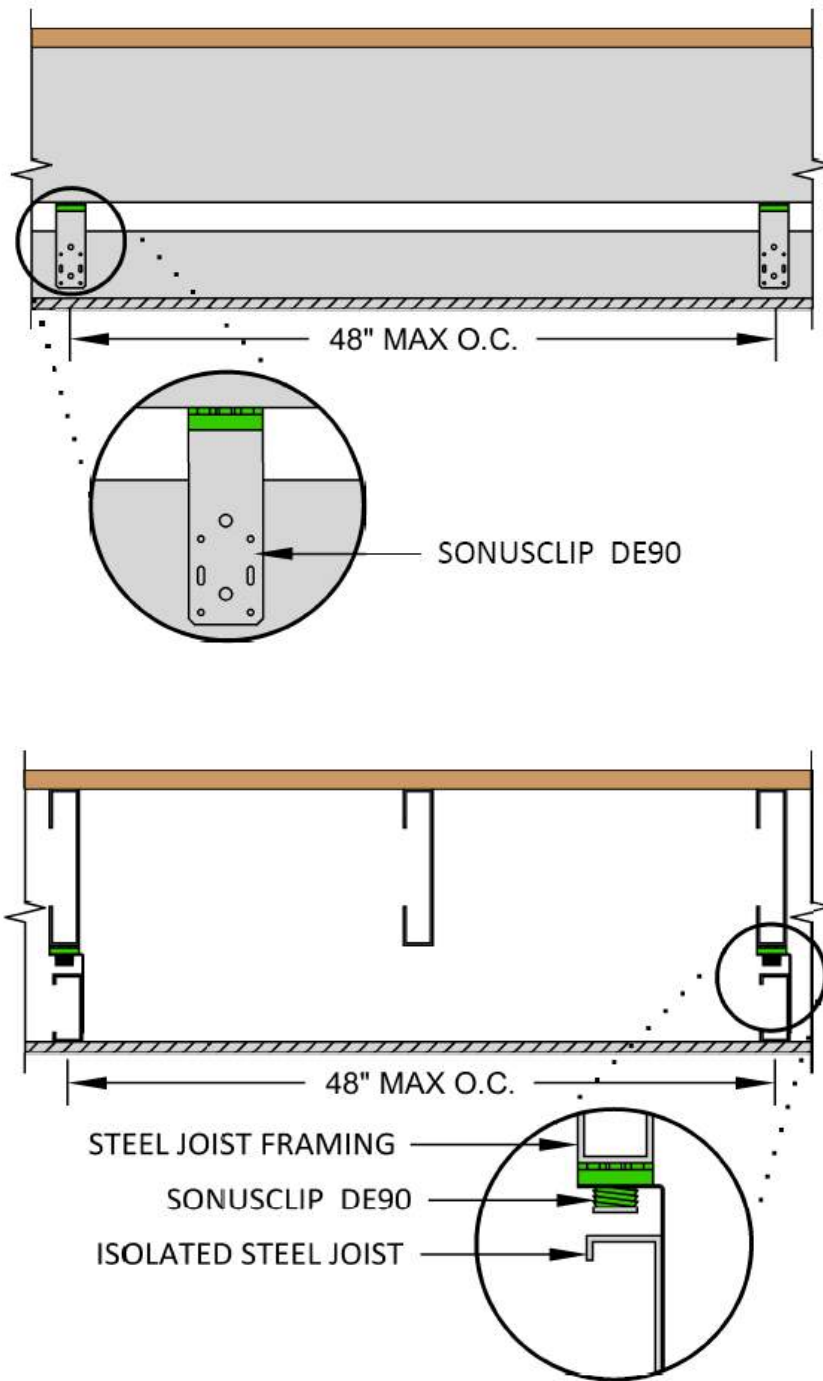
Composite Steel Bar Joist Floor to Drywall Grid Ceiling



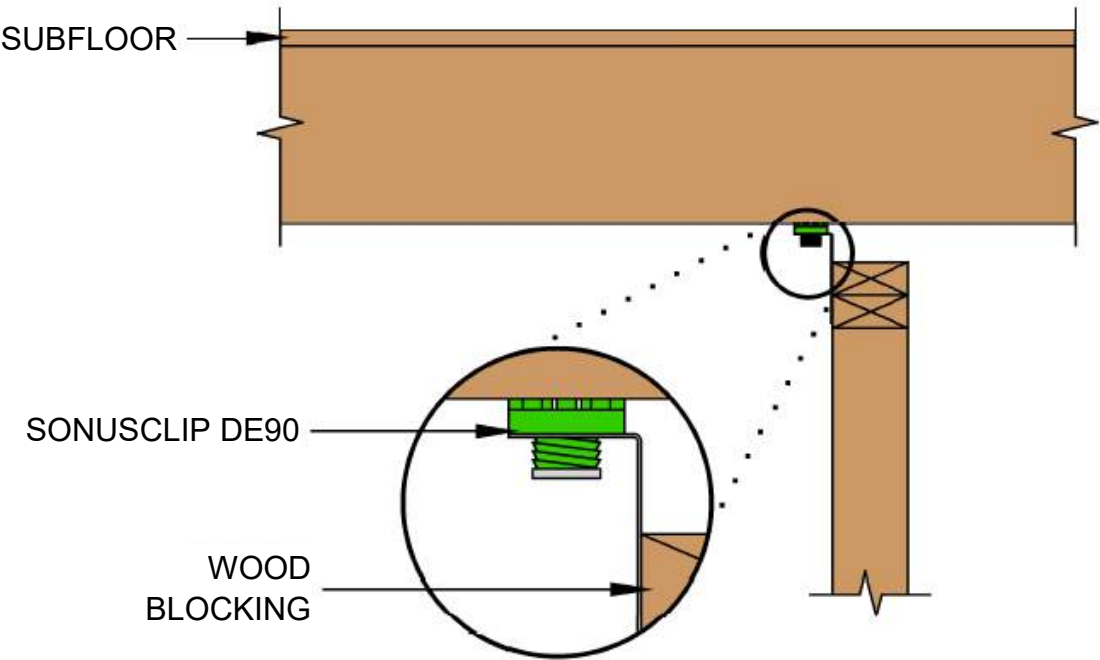
Isolated Wood Frame Ceiling



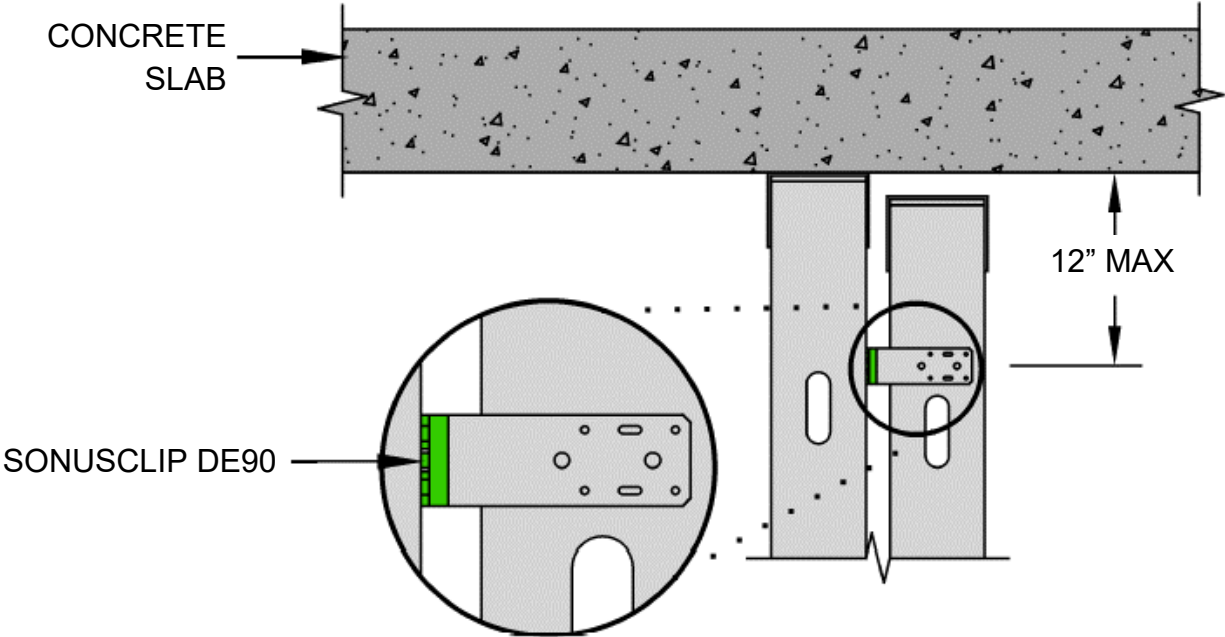
Isolated Steel Frame Ceiling



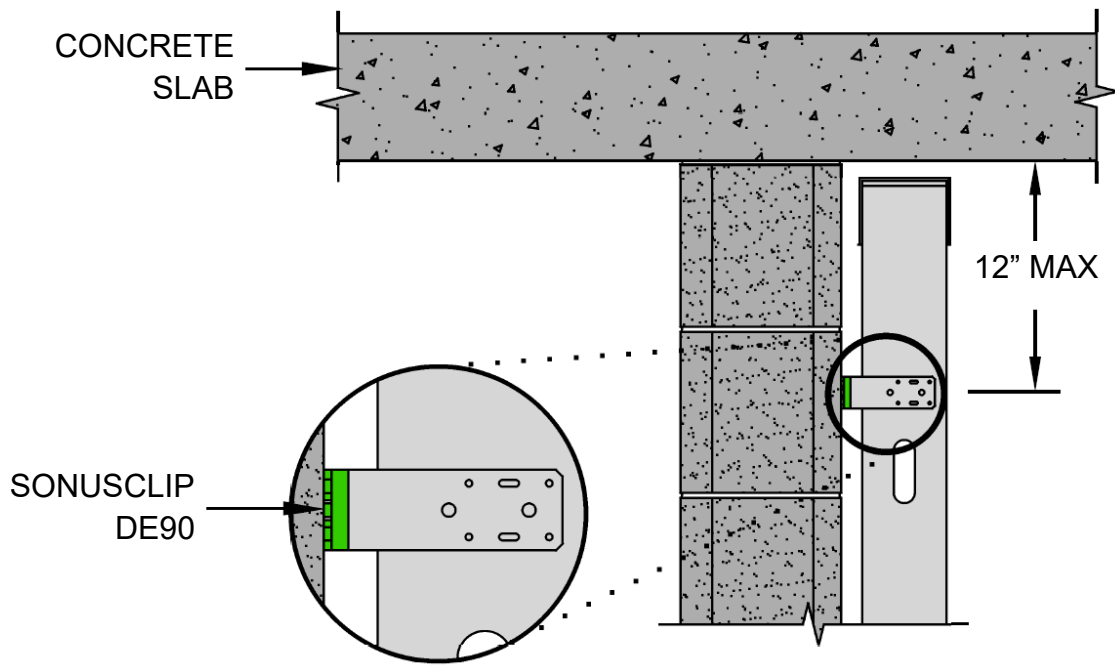
Ceiling to Wall Isolated Partition



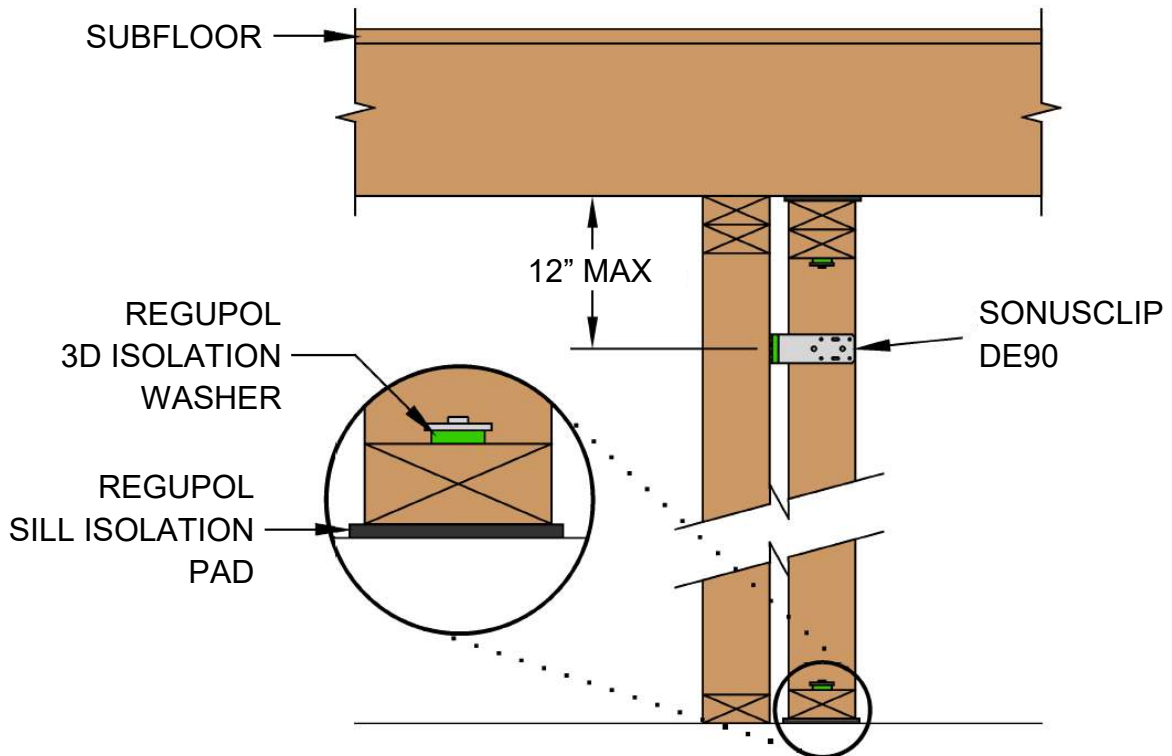
Double Stud Isolated Partition



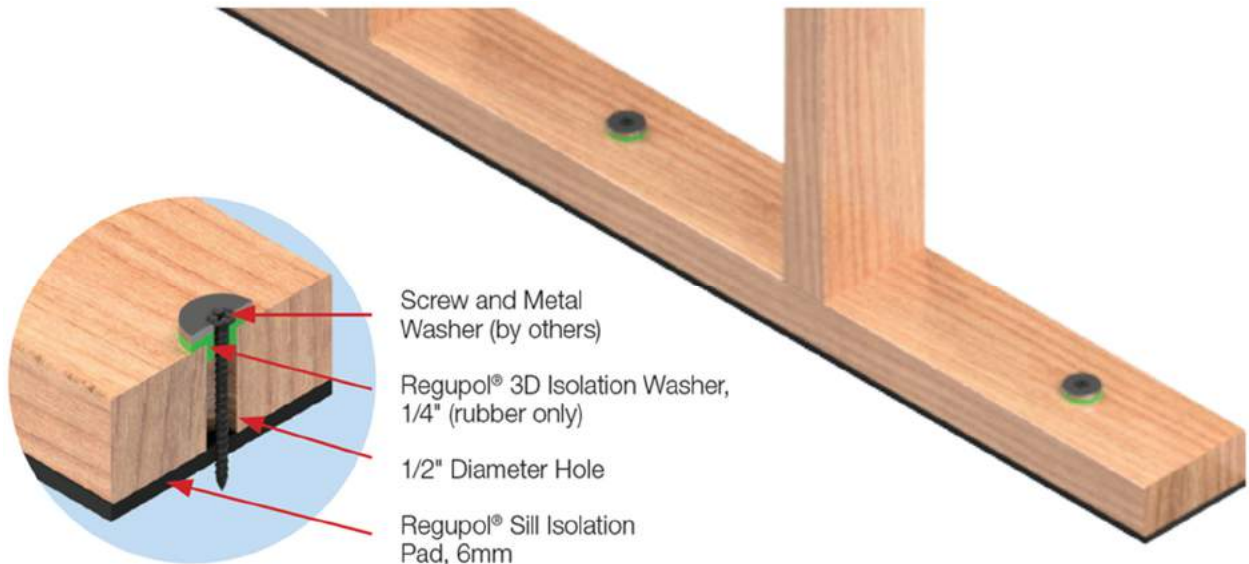
Wall to Wall Isolated Partition



Regupol® Sill Isolation Pad Isolated Partition



Product Accessories



SonusClip



3D Isolation Washer



Sill Isolation Pad



Sonus Underlayment

information at: regupol-acoustics.com



Download or request
additoinal information about
the Regupol® family of Sound Control,
or Vibration Isolation products at
Regupol-Acoustics.com



Regupol America, LLC is a product manufacturer and does not represent itself as a consultant, engineer, or advisor in construction methods, standards, and compliance. Therefore, Regupol America only warrants its products under its standard limited warranty, available by request, and does not represent or warrant any advice, suggestions, instructions, whether formal or informal, oral or written, in conjunction with any sales of its products. Any such advice is not intended for a particular purpose and should not be acted or relied upon as such. Any such advice is not represented as being all-inclusive, correct, complete, or up-to-date. The information and data contained herein are based on industry accepted testing, manufacturing tolerances, and prior product usage as set forth. Technical assistance, calculations, and design recommendations are available from Regupol America, and are subject to terms and conditions provided upon request.